



MICRO SWITCH

FREEPORT, ILLINOIS, U.S.A.
A DIVISION OF HONEYWELL

FED. MFG. CODE 91929

SWITCH - BASIC

CATALOG LISTING

BZ-2RQ1

DRAWING NUMBER **BZ-2RQ1** PAGE 1 OF 1

ISSUE **M** 16

REVISIONS

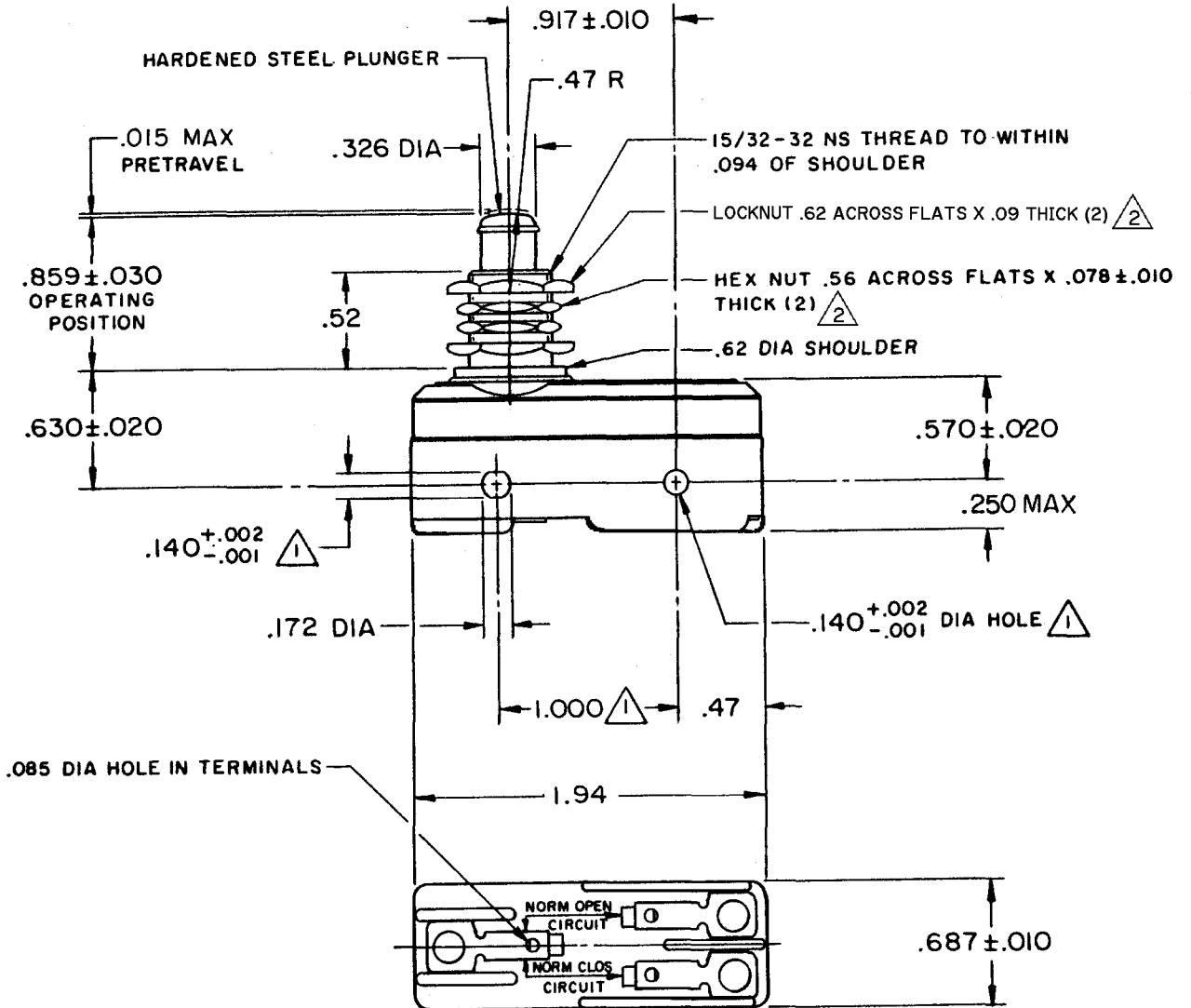
A	CO17410	GCH	9 SEP 63
B	CO46304	RJH	21 NOV 79
C	CO58037	SMA	1 OCT 85
D	CO78874	DLT	18 NOV 94
E	CO-82133	CSL	29 JUL 96
F	CO93346	DLT	10 SEP 98
G	CO-94212-J	JJA	5 OCT 99

DRAWN **FORMTEK** FO-80378

CHECK **DAV**

RELEASE NO. **30 SEPT 63**

CHECK **9 SEP 63**



- NOTES**
- ① MOUNTING HOLES WILL ACCEPT PINS OR SCREWS OF .139 MAX DIA ON 1.000 ± .002 CENTERS
 - ② HARDWARE FURNISHED UNASSEMBLED

THIS DRAWING COVERS A PROPRIETARY ITEM AND IS THE PROPERTY OF MICRO SWITCH, A DIVISION OF MINNEAPOLIS-HONEYWELL REGULATOR CO. THIS DRAWING IS NOT TO BE COPIED OR USED WITHOUT THE APPROVAL OF MICRO SWITCH.

CHARACTERISTICS	ELECTRICAL DATA	SCALE FULL
OPERATING FORCE ----- 9-13 OZ	CONTACT ARRANGEMENT S P D T	DO NOT SCALE PRINT
RELEASE FORCE ----- 4 OZ MIN	UNDERWRITERS' LAB. INC. LISTED RATING -L96- 15 A-125, 250, OR 480 VAC 1/2 A-125 VDC; 1/4 A-250 VDC 1/8 HP-125 VAC; 1/4 HP-250 VAC	UNLESS OTHERWISE NOTED DIMENSIONS ARE IN INCHES TOLERANCES ARE:
DIFFERENTIAL TRAVEL ---- .0004 - .0020	-L288- -L299- -L306-	ONE PLACE (.0) ± .030 TWO PLACE (.00) ± .015 THREE PLACE (.000) ± .005 ANGLES ±
OVERTRAVEL ----- .219 MIN	CE D SR 16A 250V ~ T85 5E4	WEIGHT .081 LB